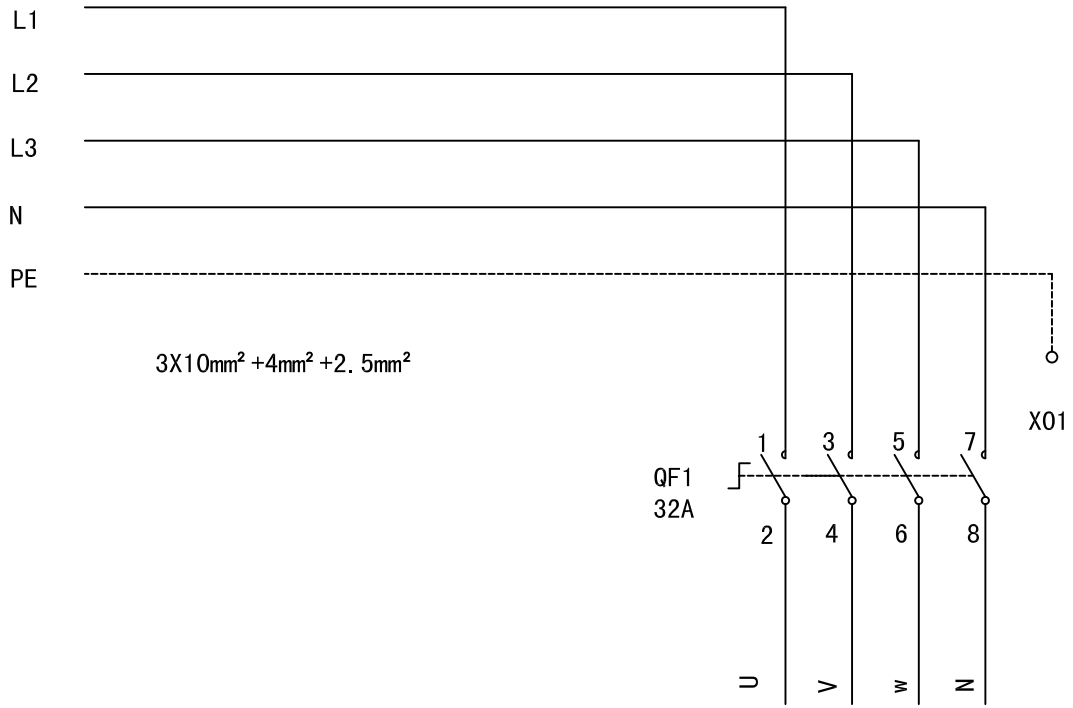


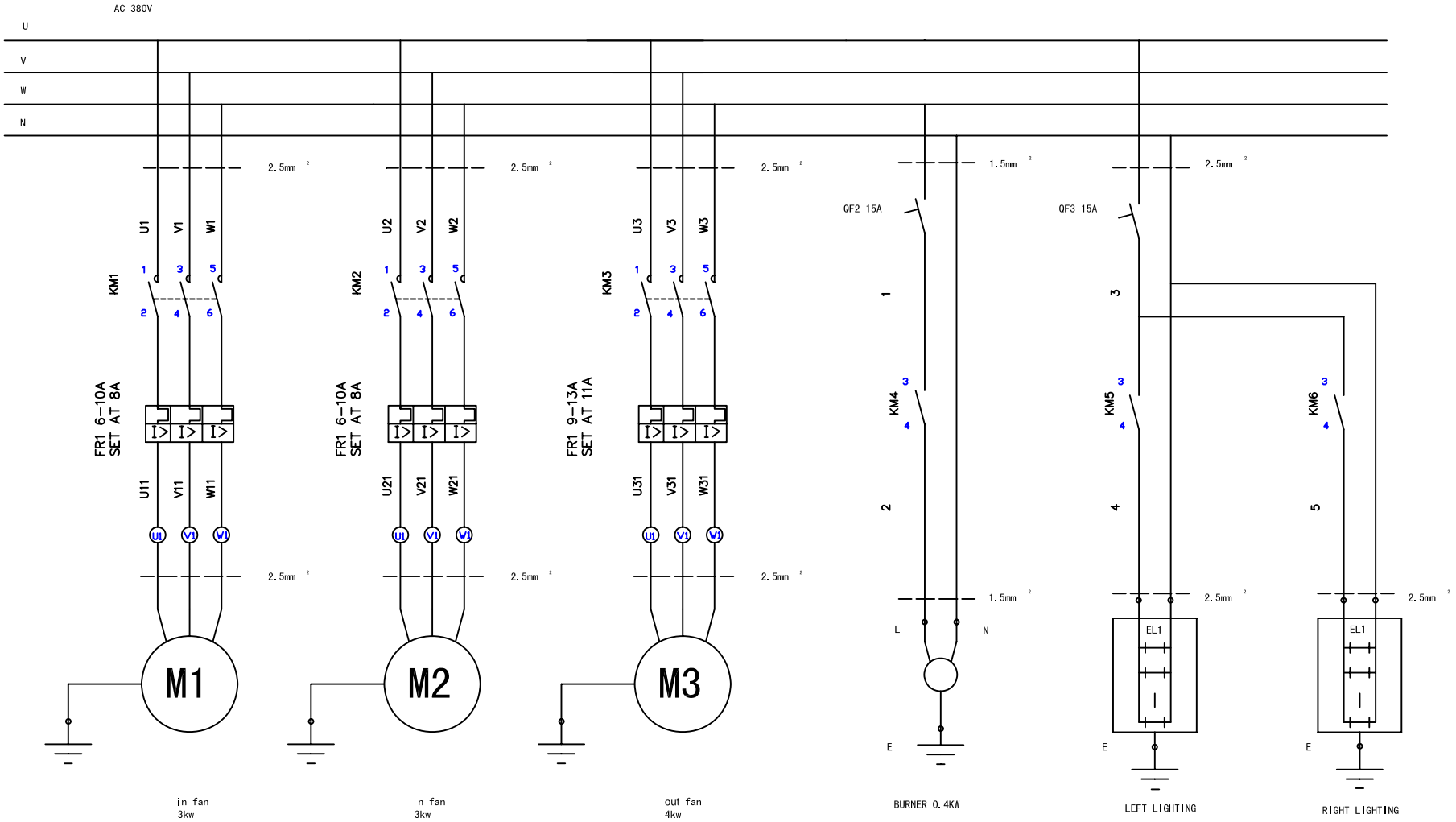
SPRAY BOOTH CIRCUIT DIAGRAM

Three-phase+neutral+earth supply line
 400V 50Hz 30KVA 50A



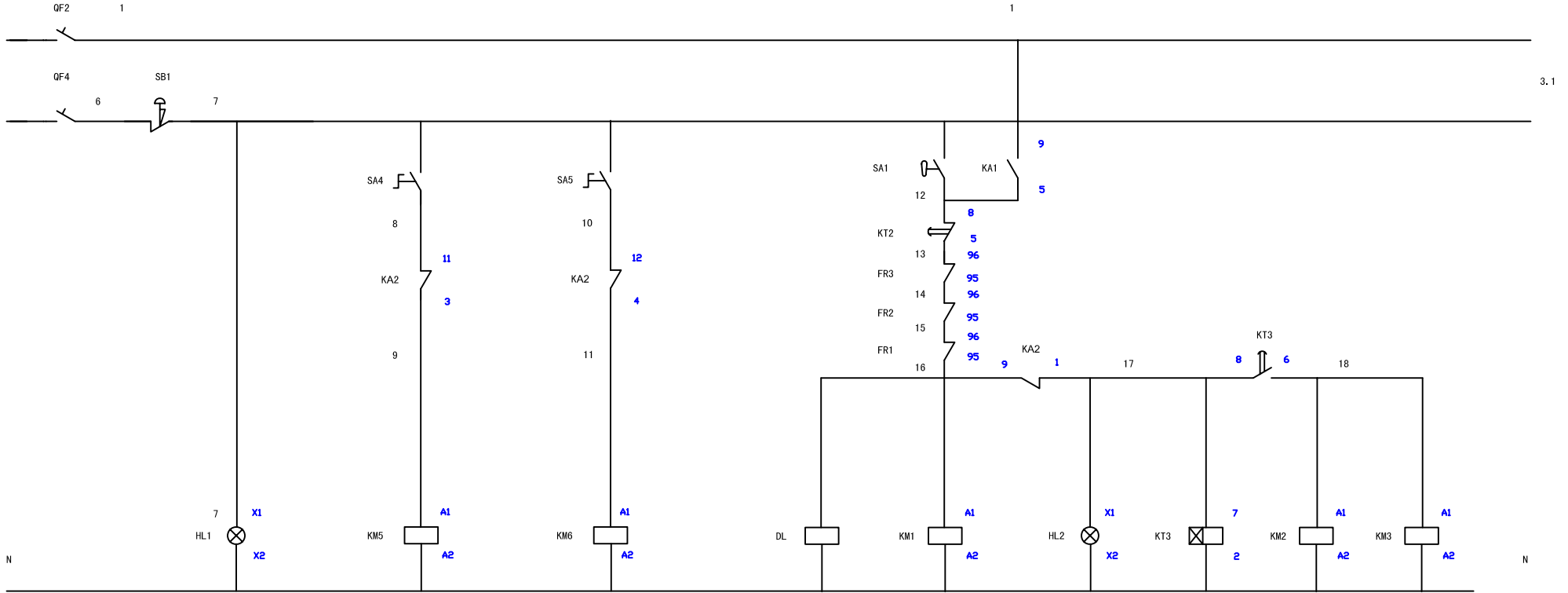
Draw	Design	Proof	Audit	NO.	Page
SB7427-NGL					1 / 5

SPRAY BOOTH CIRCUIT DIAGRAM



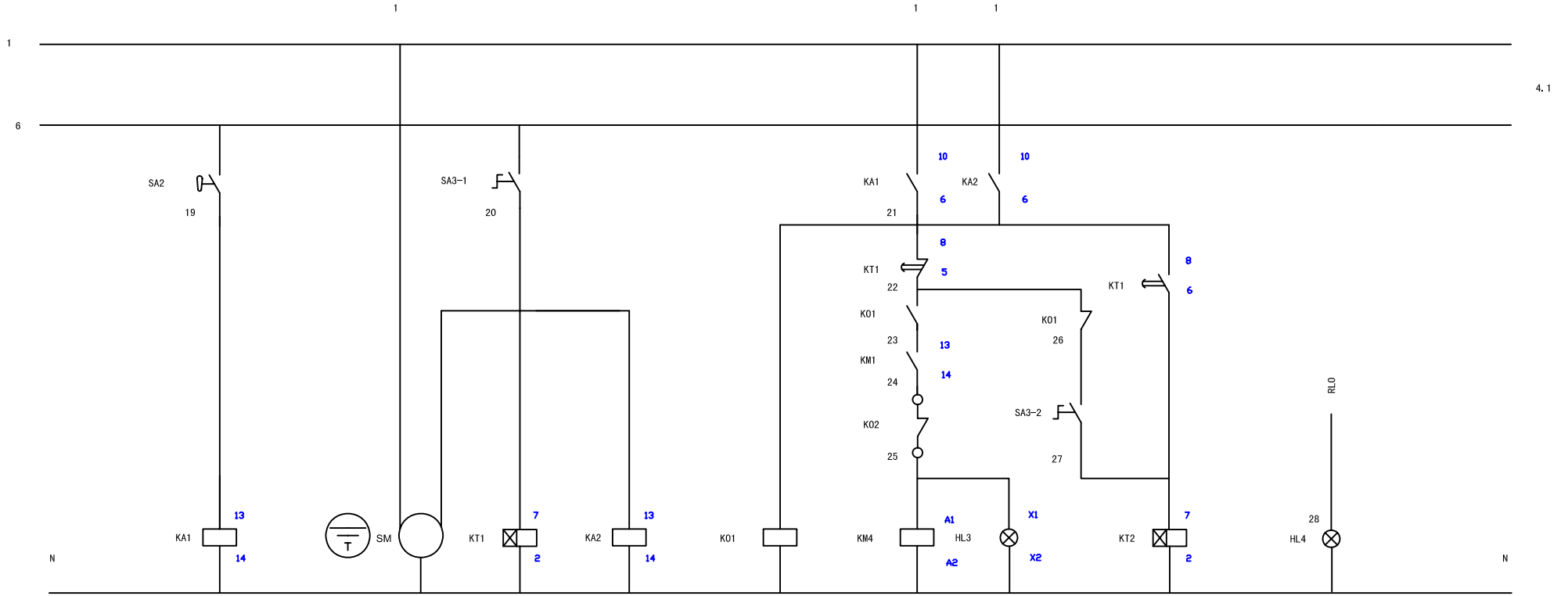
SB7427-NGL	Draw	Design	Proof	Audit	NO.	Page
						2 / 5

SPRAY BOOTH CIRCUIT DIAGRAM



SB7427-NGL	Draw	Design	Proof	Audit	NO.	Page
						3
						5

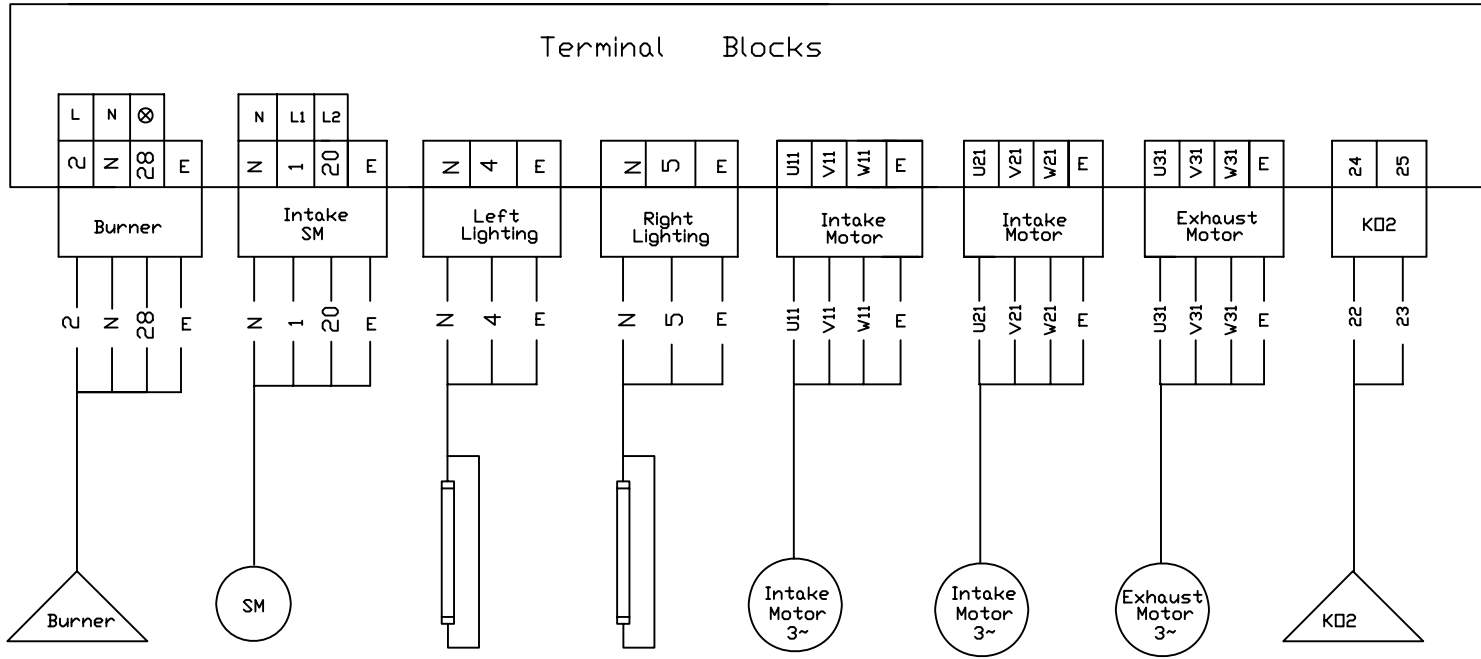
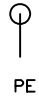
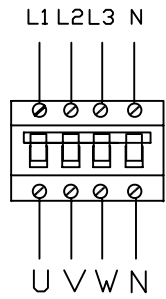
SPRAY BOOTH CIRCUIT DIAGRAM



SB7427-NGL	Draw	Design	Proof	Audit	NO.	Page
						4 5

SPRAY BOOTH CIRCUIT DIAGRAM

3X10mm² +4mm² +2.5mm²



SB7427-NGL	Draw	Design	Proof	Audit	NO.	Page
						5
						5